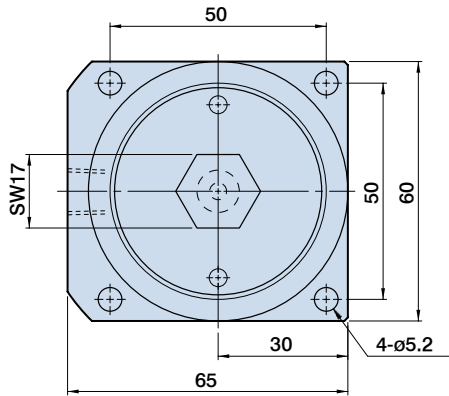


# LSP 低油壓支撐缸

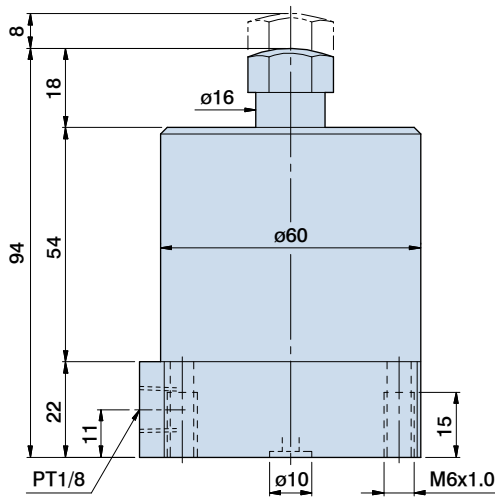


## Low Pressure Supporting Cylinder

• Rod:  $\phi 16\text{mm}$  • Pmax:  $70\text{kg/cm}^2$



**LSP-16B 油壓頂出型  
Hydraulic extended  
piston rod**



|               |          |
|---------------|----------|
| 配管式 Line type | LSP-16B  |
| 油路板型 Manifold | LSP-M16B |

**出力表 Output table**

