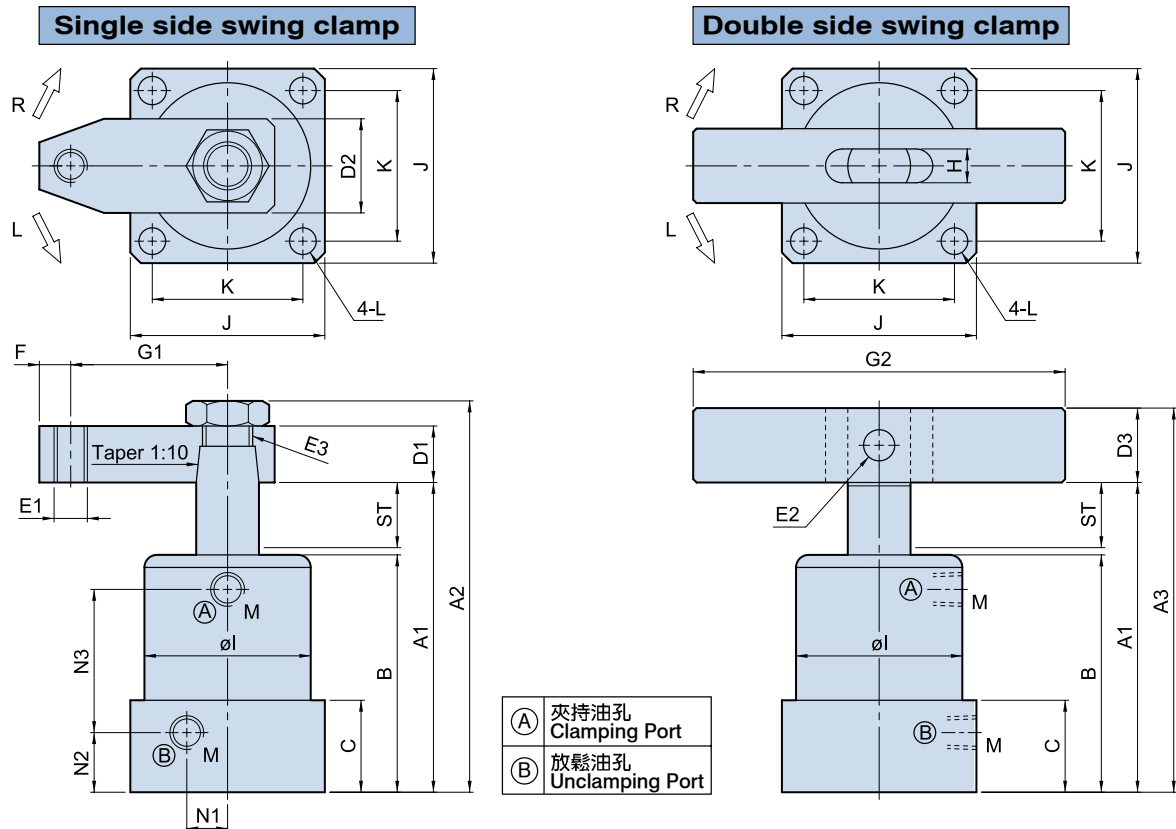


HSC 油壓轉角缸 Line type



Hydraulic Swing Clamp Cylinder

• Bore: $\phi 25$ - $\phi 63$ mm • Pmax: 100kg/cm²



Dimensional table

UNIT:mm

ITEM \ MODEL	HSC-25	HSC-32		HSC-40		HSC-50		HSC-63	
ST:Swing/Clamping	22:9/13	26:11/15	41:11/30	26:11/15	41:11/30	30:13/17	47:13/34	30:13/17	47:13/34
A1	101	115	145	120	150	134	168	139	173
A2	(124)	(140)	(170)	(148)	(178)	(166)	(200)	(175)	(209)
A3	120	137.2	167.2	142.2	172.2	159.4	193.4	170.8	204.8
B	76	85	100	90	105	100	117	105	122
C	27	30		30		34		34	
D1	15	17		18		20		23	
D2	27	31		31		37		48	
D3	□19	□22.2		□22.2		□25.4		□31.8	
E1	M10x1.5	M10 x 1.5		M10 x 1.5		M12 x 1.75		M16 x 2.0	
E2	$\phi 8$	$\phi 8$		$\phi 10$		$\phi 12$		$\phi 15$	
E3	M14 x 1.5	M16 x 1.5		M18 x 1.5		M20 x 1.5		M26 x 1.5	
F	10	10		10		12		15	
G1	50	55		60		65		75	
G2	140	160		160		180		200	
H	9	10		10		12		15	
ϕl	$\phi 46$	$\phi 50$		$\phi 54$		$\phi 66$		$\phi 80$	
J	52	56		63		72		88	
K	40	44		48		57		70	
L	$\phi 6.8$	$\phi 6.8$		$\phi 9$		$\phi 9$		$\phi 11$	
M	PT1/8	PT1/8		PT1/8		PT1/4		PT1/4	
N1	8	10		12		15		17	
N2	17	19		19		21.5		22	
N3	46	52	67	57	72	63.5	80.5	68	85