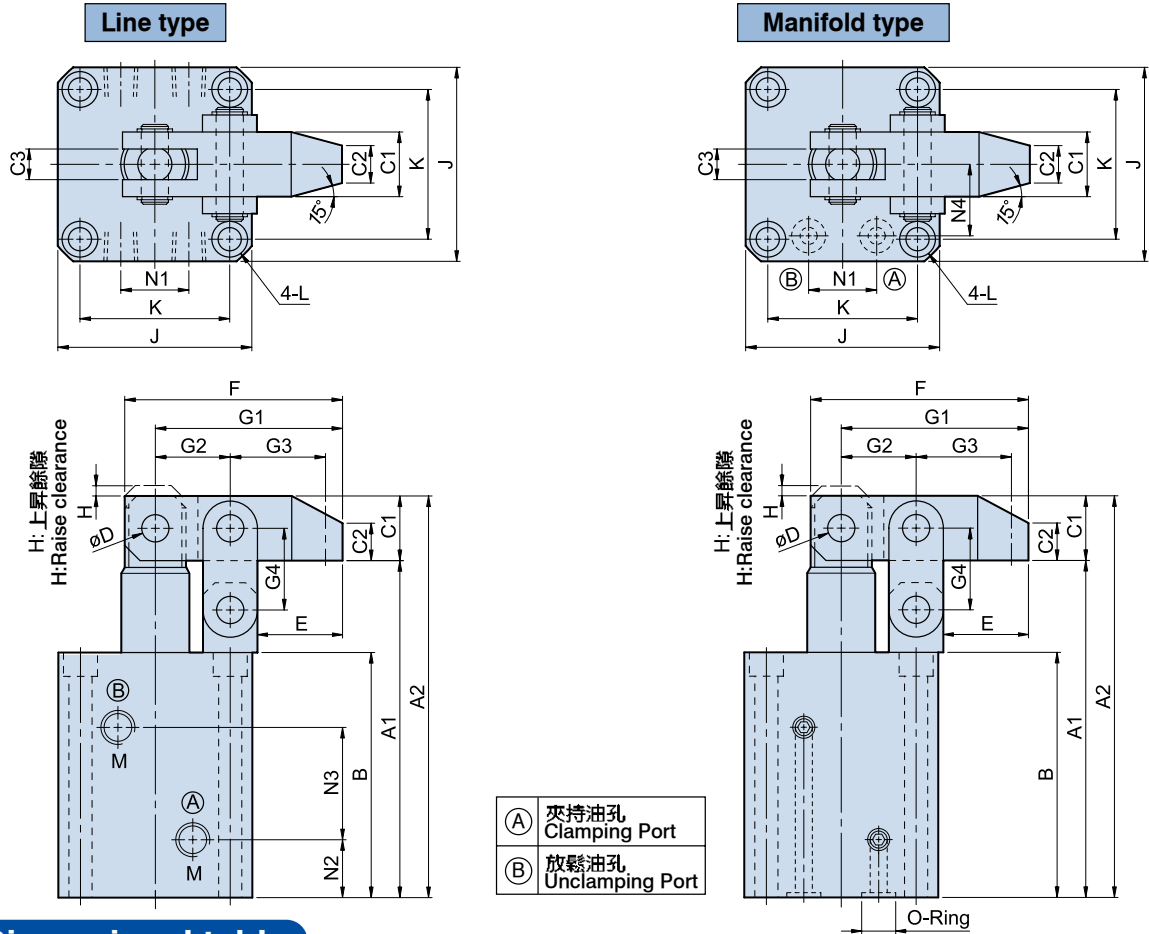


HLC 槓桿油壓缸



Hydraulic lever-type Cylinder

• Bore: $\phi 25\text{-}\phi 63\text{mm}$ • Pmax: 70kg/cm^2



Dimensional table

UNIT:mm

ITEM	MODEL	HLC-25 HLC-M25	HLC-32 HLC-M32	HLC-40 HLC-M40	HLC-50 HLC-M50	HLC-63 HLC-M63
A1		103	112	122	137	155
A2		122	131	144.2	162.4	186.8
B		76	85	90	100	111
C1		□19	□19	□22.2	□25.4	□31.8
C2		11	11	13	15	19
C3		9	9	10	11	15
ϕD		$\phi 8$	$\phi 8$	$\phi 10$	$\phi 12$	$\phi 15$
E		25	25	30	35.5	43
F		64	64	77	90	110
G1		55	55	66	77	94
G2		22	22	26	30	36
G3		28	28	34	39	48
G4		24	24	29	33	39
H		3	3	4	4	4
J		55	57	69	75	96
K		42	44	52	58	75
L		$\phi 6.8\text{-}\phi 10.5 \times 6.5\text{D.}$	$\phi 6.8\text{-}\phi 10.5 \times 6.5\text{D.}$	$\phi 9\text{-}\phi 14 \times 9\text{D.}$	$\phi 9\text{-}\phi 14 \times 9\text{D.}$	$\phi 11\text{-}\phi 18 \times 11\text{D.}$
M		PT1/8	PT1/8	PT1/4	PT1/4	PT1/4
N1		18	22	26	32	38
N2		17	19	19	21.5	22
N3		33	38	40	45	52
N4		20	22	26	30	38
O-Ring		P7	P7	P8	P8	P9