

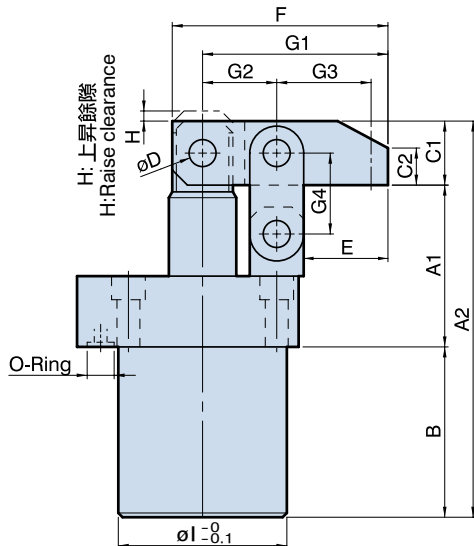
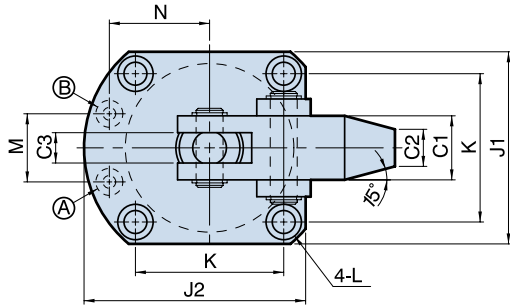
HLC 槓桿油壓缸 FAM 法蘭型油路板

FAM 法蘭型油路板
Flange with manifold



Hydraulic lever-type Cylinder FAM

• Bore: $\phi 25$ - $\phi 50$ mm • Pmax: 70kg/cm²



- (A) 夾持油孔
Clamping Port
- (B) 放鬆油孔
Unclamping Port



HLC-FAM Bore -L

HLC-FAM Bore -R

Dimensional table

UNIT:mm

ITEM \ MODEL	HLC-FAM25	HLC-FAM32	HLC-FAM40	HLC-FAM50
A1	49	52	57	67
A2	122	131	144.2	162.4
B	54	60	65	70
C1	□19	□19	□22.2	□25.4
C2	11	11	13	15
C3	9	9	10	11
ϕD	8	8	10	12
E	25	25	30	35.5
F	64	64	77	90
G1	55	55	66	77
G2	22	22	26	30
G3	28	28	34	39
G4	24	24	29	33
H	3	3	4	4
ϕI	$\phi 45$	$\phi 50$	$\phi 58$	$\phi 68$
J1	55	57	69	75
J2	64	65.5	79	87
K	42	44	52	58
L	$\phi 6.8$ - $\phi 10.5 \times 6.5D.$	$\phi 6.8$ - $\phi 10.5 \times 6.5D.$	$\phi 9$ - $\phi 14 \times 9D.$	$\phi 9$ - $\phi 14 \times 9D.$
M	20	22	26	30
N	28	29	34.5	39
O-Ring	P6	P6	P9	P9