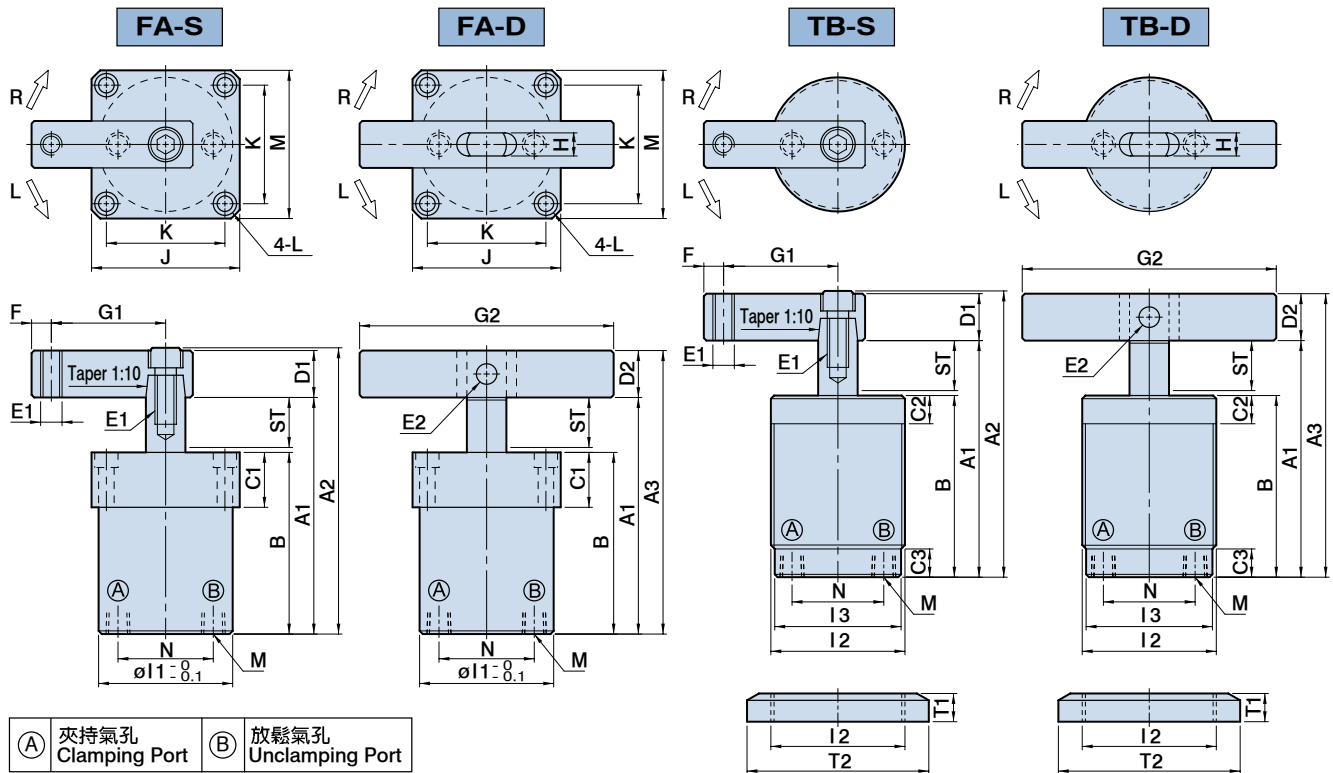


ASC 空壓轉角缸 FA法蘭型/TB全牙型 Flange type / Threaded body



Air Swing Clamp Cylinder FA.TB

• Bore: $\phi 32$ - $\phi 63$ mm • Pmax: 10kg/cm²



Dimensional table

UNIT:mm

MODEL	ASC-FA32 ASC-TB32	ASC-FA40 ASC-TB40	ASC-FA50 ASC-TB50	ASC-FA63
ITEM				
ST:Swing/Clamping	26:11/15	26:11/15	30:13/17	30:13/17
A1	108	108	124	124
A2	(128)	(128)	(150.4)	(150.4)
A3	127	127	146.2	146.2
B	78	78	90	90
C1	22	22	25	25
C2 / C3	10 / 9	10 / 9	12 / 11	—
D1	□19	□19	□25.4	□25.4
D2	□19	□19	□22.2	□22.2
E1	M8x1.25	M8x1.25	M10x1.5	M10x1.5
E2	∅8	∅8	∅8	∅8
F	8	8	10	10
G1	50	55	60	70
G2	140	140	160	160
H	9	9	10	10
∅I1	∅46	∅55	∅65	∅78
I2 / I3	M50x1.5 / ∅48	M55x1.5 / ∅53	M65x1.5 / ∅63	—
J	50	60	70	83
K	40	48	57	67
L	∅5.6-∅9x5.5D.	∅6.8-∅10.5x6.5D.	∅6.8-∅10.5x6.5D.	∅9-∅14x9D.
M	PT1/8	PT1/8	PT1/8	PT1/8
N	32	40	50	63
T1x2PCS	11	11	12	—
T2	∅70	∅75	∅85	—